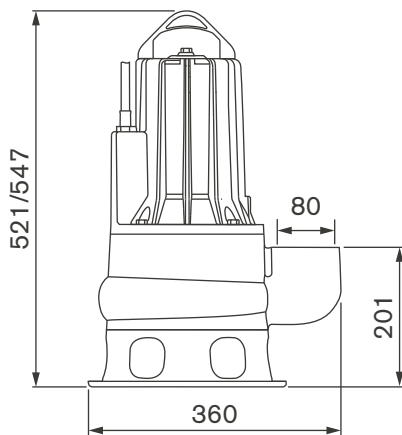


This heavy-duty range is fitted with three-phase motors and is ideal for pumping sewage, wastewater, groundwater and stormwater in locations such as blocks of flats, public buildings, factories, underground car parks and washdown areas. Units are constructed from cast iron, fitted with an open-type stainless impeller and dual oil lubricated mechanical seal.

A thermostat for over-temperature protection is fitted in the motor windings.



Dimensions (all measurements mm)



Technical data

Model GPV	80-220	80-300
Outlet (mm)	80 BSP	
Max flow rate (L/s)	25	26.6
Max head (m)	12	15
Max liquid temp (°C)	40	
Ø Solids (mm)	65	
Power (kW)	2.2	3.0
Current (A)	6.5	7.5
Voltage (V)	415	
Speed (RPM)	2900	
Casing	Epoxy electro coated cast iron	
Impeller	Stainless open-type	
Motor housing	Epoxy electro coated cast iron	
Protection	IP68	
Cable details	10 m length, H07 RN-F	
Mounting	Free-standing only	
Weight (kg)	45	50

Performance curve

