



A BETTER SLURRY PUMP EXPERIENCE

SLURRY PRO[®]





SLURRYPRO ORIGINATED FROM A FIRM BELIEF THAT YOUR SLURRY PUMP EXPERIENCE COULD AND SHOULD BE BETTER

In response to industry feedback and frustration with service and response times, SlurryPro has introduced a customer-centric focus and revolutionised the end user experience.

The core management team bring years of experience from the Australian and South American mining industry. This tough and unforgiving environment was the perfect birth place for a range of pumps focusing on superior wear life and reduced lifetime costs. We focus on the vital need to reduce downtime in our key markets of mining, chemicals and mineral processing.

Our range includes horizontal and vertical centrifugal slurry pumps, all designed for use in the heaviest duty applications such as mill discharge, process plant and tailings applications. They are also widely used in sand washing and recycling applications, as well as specialist areas such as difficult food washing and other abrasive processes.

We understand that reducing downtime relies on rapid and cost effective parts availability. With this in mind, we have invested heavily in stock within our distribution companies, leading to the fastest quoting and delivery times in the industry.

In short, if you're looking for a better slurry pump experience, including superior wear life, reduced lifetime cost and ease of ongoing maintenance there is quite simply no alternative to SlurryPro.

UPGRADE WITH INTERCHANGEABLE TECHNOLOGY

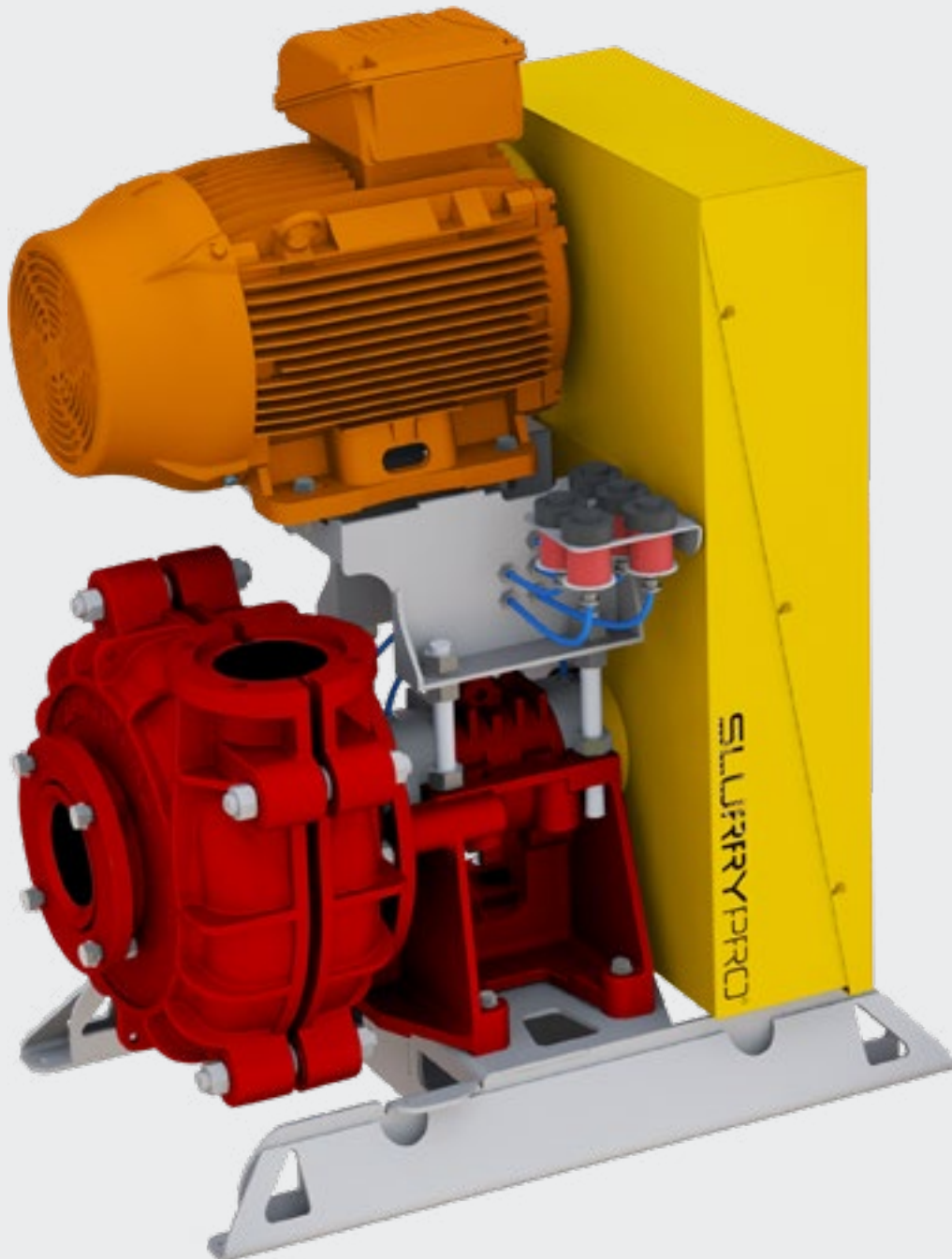
SlurryPro is a heavy duty, proven range of horizontal and vertical slurry pumps in a wide range of sizes, available with both high chrome and different grades of rubber wearing parts. The SlurryPro pump and spares range allows you to continue using your current pump and pipe work configuration.

A BETTER SLURRY PUMP EXPERIENCE

SLURRYPRO'S PASSION FOR IMPROVING WEAR LIFE AND CUSTOMER EXPERIENCE IS GREATLY DEMONSTRATED IN THE DESIGN OF THE NEW BUILT-UP SLURRYPRO PUMPS.

Design improvements and increased safety features have been at the forefront of our engineers thinking. The new build-up is lighter than the previous version yet just as robust and with no change to the overall integrity of the base. A lighter construction has been achieved by a change in the building methods used.

The introduction of modular design and the improvements in the way SlurryPro is designed and manufactured means that assembly time is also greatly reduced, thus reducing lead time. While bespoke designs can take time, we also now have a library of designs in place which allows us to begin manufacturing a new build-up quicker than ever before.





SLURRYPRO AUTOMATIC GREASER

Did you know that one of the most common reasons for pump failure is due to lack of regular lubrication?

All new SlurryPro built-up pumps include provision for an automatic greasing system as standard. Once fitted, this ensures consistent reliable lubrication of the bearings and seals for maximum service life. Manual greasing leads to both over and under-greasing due to inconsistent or infrequent application. Over-greasing leads to overheating, waste, pollution and premature failure. Under-greasing leads to wear, premature repairs and high repair costs.

SlurryPro Automatic Greaser pots are available individually and as part of a kit. The kit includes a bracket which can hold up to five pots of grease. Thanks to the bracket's powerful magnetism fitting it to the pump is a quick and simple procedure with no requirement for screws or tools.



UNIVERSAL MOTOR MOUNT

Our new motor mount has been designed to accommodate many motor sizes, which means a different sized motor can be put on the pump without any further engineering. This also speeds up the manufacturing process as pumps can be prepared in advance of confirmation of the final specification. This additionally allows for changes to the pump at a later date with minimum disruption.



BELT GUARD

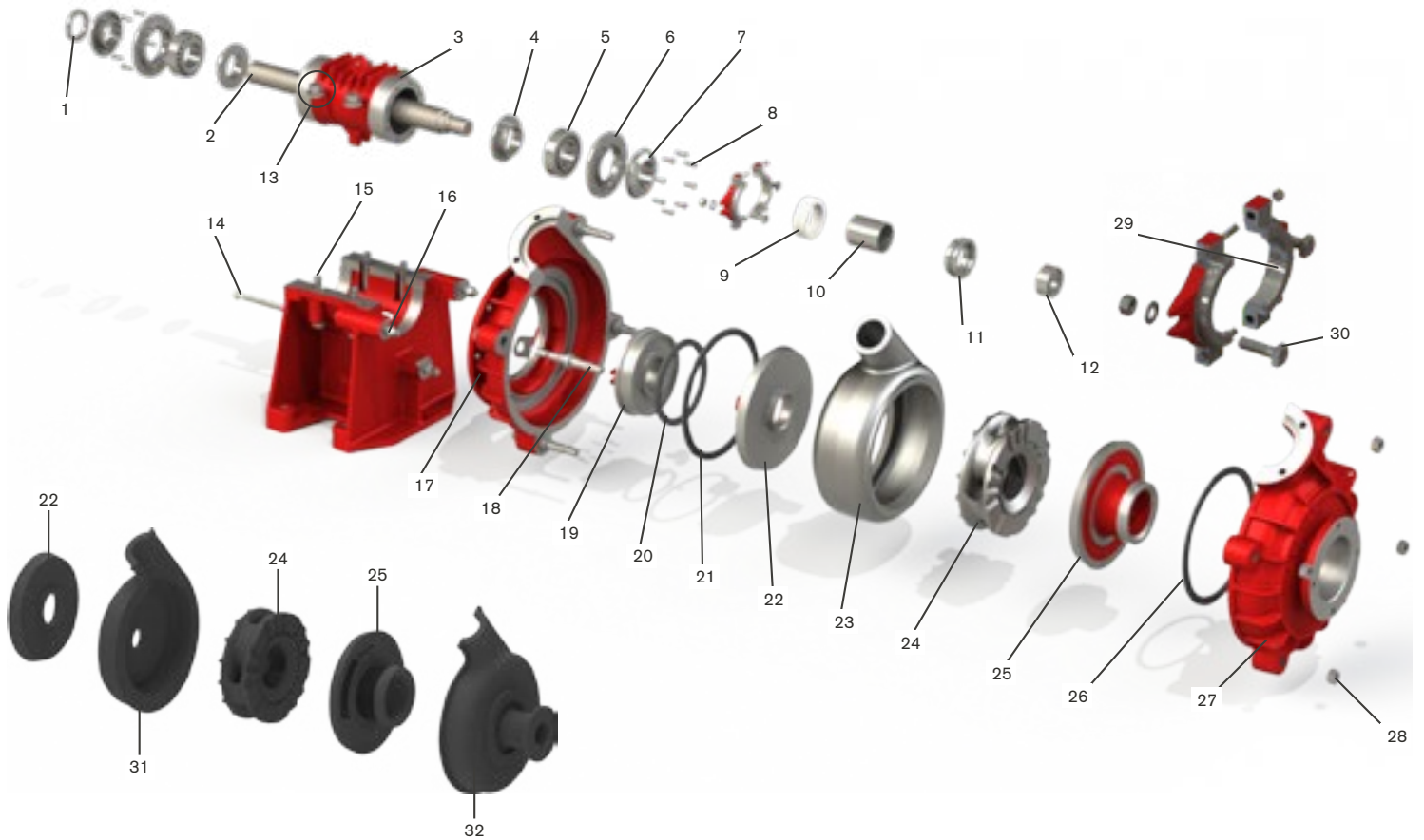
The health and safety of the user is always at the forefront of our thinking.

The new upgraded design includes an increased number of features such as the perforated belt guard. This can be removed by simply loosening six bolts and lifting the guard off allowing the user quick and easy access.

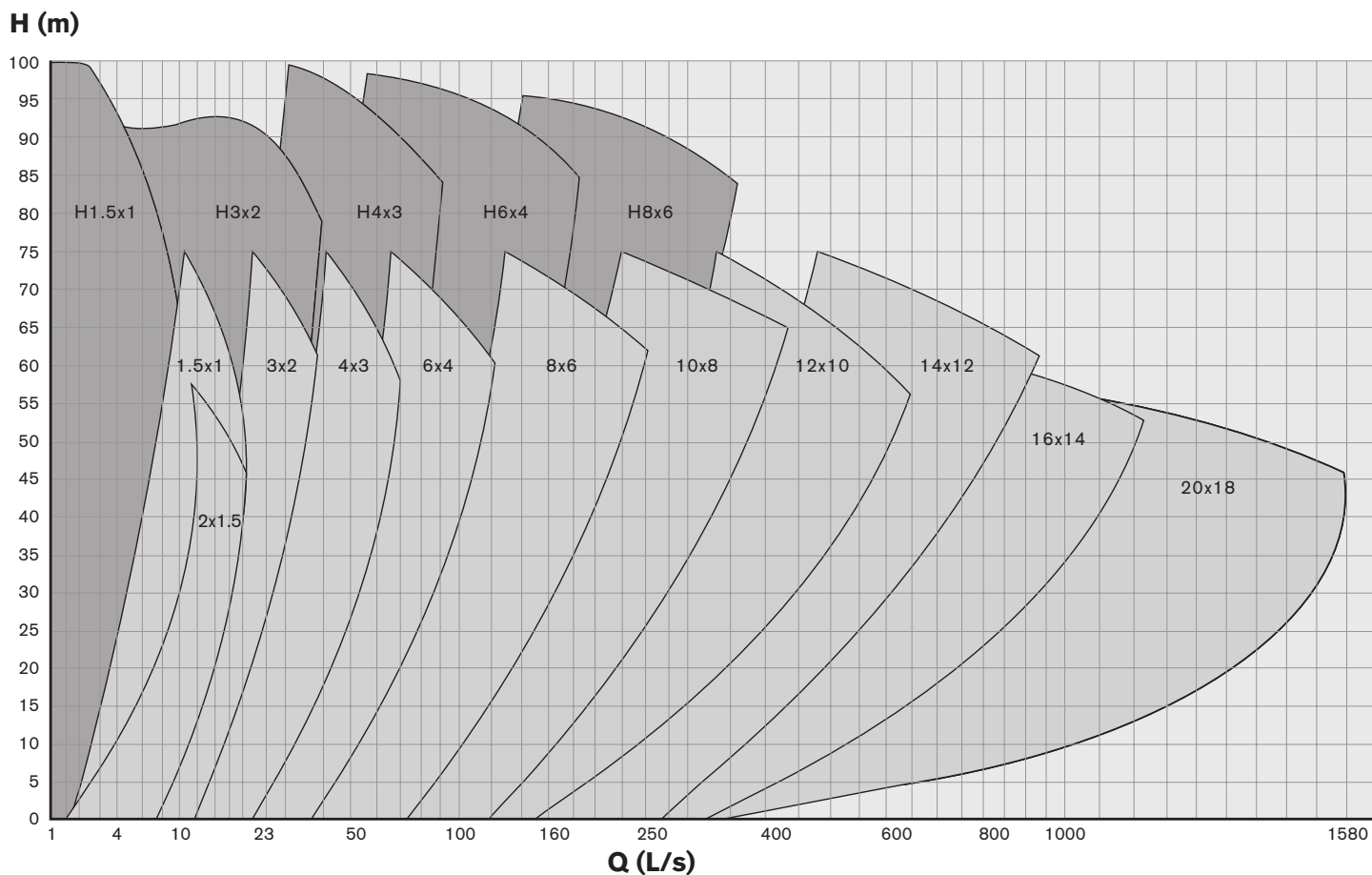
The build is fully compliant with guarding regulations.

EXPLODED VIEW

- | | | | |
|------------------------|------------------------|--|-------------------------------------|
| 1. Labyrinth lock nut | 9. Gland packing | 17. Frame plate | 24. Impeller
(metal or rubber) |
| 2. Shaft | 10. Shaft sleeve | 18. Cover plate bolt | 25. Throatbush
(metal or rubber) |
| 3. Bearing housing | 11. Lantern restrictor | 19. Stuffing box | 26. Volute seal |
| 4. Grease retainer | 12. Shaft spacer | 20. Seal | 27. Cover plate |
| 5. Bearing | 13. Clamp washer | 21. Volute seal | 28. Cover plate nut |
| 6. End cover | 14. Adjusting screw | 22. Frame plate liner
insert (metal or
rubber) | 29. Gland assembly |
| 7. Labyrinth | 15. Clamp bolt | 23. Volute liner | 30. Gland bolt |
| 8. End cover screw set | 16. Frame plate stud | | 31. Frame plate liner |
| | | | 32. Frame plate cover |



CURVES HORIZONTAL



The selection chart should be used as a basic guide only. This chart indicates the range and quantity of flow available from pumps with standard impellers. It can also, however, be used to obtain a preliminary pump selection providing the user is able to estimate the quantity of slurry to be pumped and the developed head required.

SAVE WATER, SAVE MONEY

Did you know the minimum amount of flush water required for a 3" slurry pump is ...

15 L/min

900 L/hr

21,600 L/day

7,884,000 L/year

Save water and money with the flushless
SlurryPro Elite mechanical seal



MECHANICAL SEALS

MECHANICAL SEALS ARE THE MOST EFFECTIVE SEALING ARRANGEMENTS FOR SLURRY PUMPS

A mechanical seal consists of two parts, one section is fixed to the shaft, the other fixed to the stationary pump housing. The interface of these two components is the mechanical seal. One of the sections will be fixed in place, while the other will be pushed up to it using a spring-loaded fixing. This allows a tiny amount of liquid, called the fluid film, to flow into the minute space between these two surfaces, creating a seal, but also providing the needed lubrication and cooling.

This liquid between the two faces of the seal can either come from the fluid being pumped or from an external source. There will be some leakage into the dry area of the pump, but as the gap is so small (as narrow as one micron) this will be virtually undetectable.

ADVANTAGES OF USING MECHANICAL SEALS

- cost savings from the reduction in wear to pump parts
- a reduction in downtime because repairs and parts are needed less often
- a reduction in the liquid needed for cooling
- the prevention of any discernible leakage of the pumped liquid.

The main disadvantage of mechanical seals is their much higher purchase price. However, this is offset by lower running costs and the elimination of any costs associated with leakage. Slurry pumps can be supplied fitted with mechanical seals, or they can easily be retrofitted.

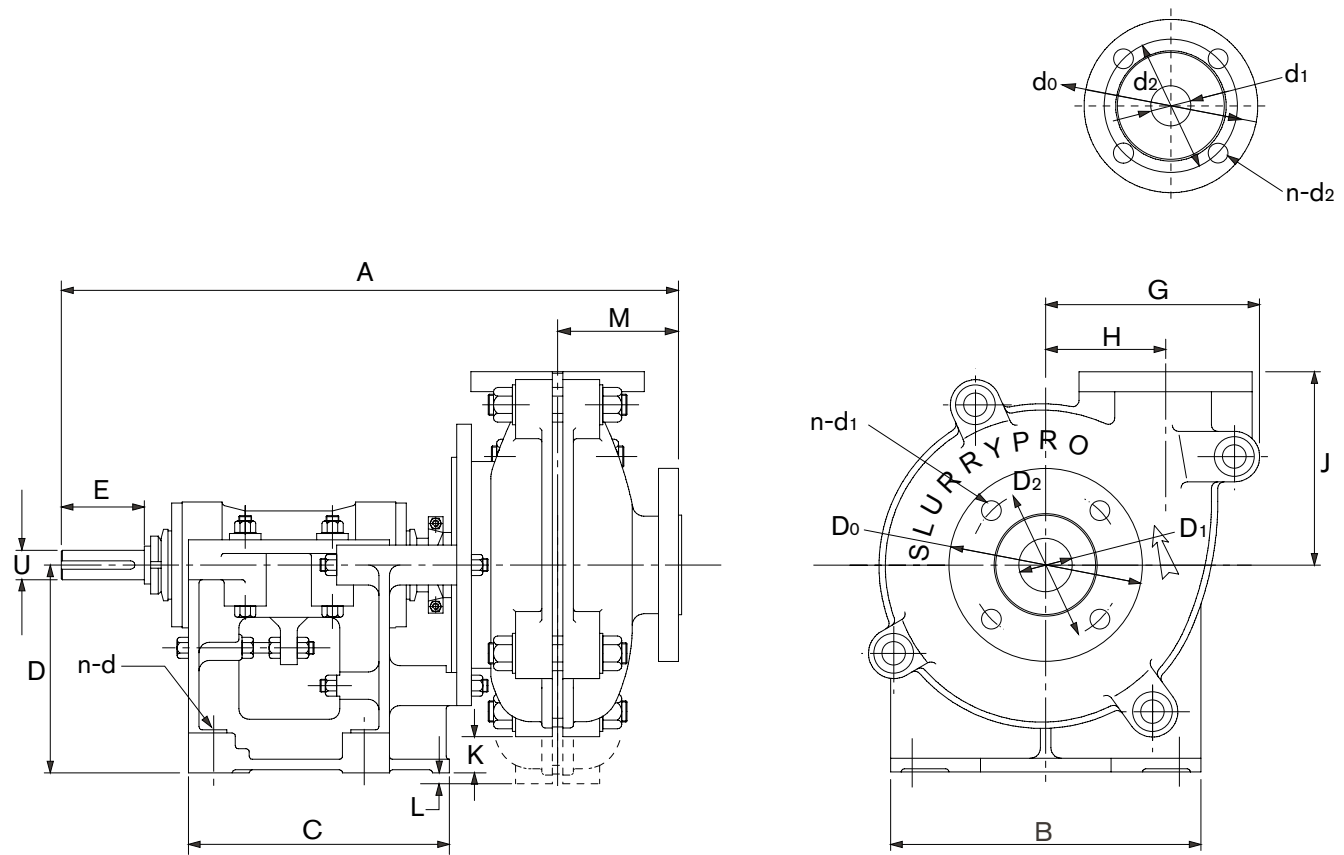
SLURRYPRO MECHANICAL SEALS

SlurryPro Mechanical Seals are available as both single and double seals and are designed to meet the arduous requirements of slurry applications. Large radial clearances and advanced multi-spring design give improved seal face loading and longer seal life. They are supplied as a complete cartridge to ensure they are delivered in pristine condition.

SlurryPro Mechanical Seals have been developed and produced by a leading mechanical seal manufacturer. This means you have confidence the are getting is pump designed for your industry, fitted with a seal from a trusted global mechanical seal manufacturer. A winning combination!



SPECIFICATIONS HORIZONTAL



TYPE	FRAME	A	B	C	D	U	KEY SIZE	E	G	H	J	K	L	M	n-d	SUCTION FLANGE				DISCHARGE FLANGE				APPROX MASS kg	
																D0	D1	D2	n-d1	d0	d1	d2	n-d2	Metal	Rubber
SS1.5X1	5	583	295	248	197	28	8X7	79	181	98	171	46	-	106	4-Ø14	152	38	114	4-Ø16	152	25	114	4-Ø16	90	75
SS2X1.5	5	596	295	248	197	28	8X7	79	203	114	184	33	-	115	4-Ø14	184	51	146	4-Ø19	165	38	127	4-Ø19	100	85
SS3X2	10	777	406	311	254	42	12X8	122	238	138	210	67	-	156	4-Ø19	216	76	178	8-Ø19	203	51	165	4-Ø19	200	160
SS4X3	10	848	406	311	254	42	12X8	121	292	149	262	20	-	192	4-Ø19	279	102	235	4-Ø22	229	76	191	4-Ø22	300	230
SS4X3	20	948	492	364	330	65	18X11	152	292	149	262	100	-	192	4-Ø22	279	102	235	4-Ø22	229	76	191	4-Ø22	380	280
SS6X4	20	1028	492	364	330	65	18X11	150	406	229	338	12	-	228	4-Ø22	337	152	292	4-Ø22	279	102	235	4-Ø22	660	420
SS6X4	30	1188	622	448	457	80	22X14	220	406	229	338	139	-	228	4-Ø29	337	152	292	4-Ø22	279	102	235	4-Ø22	810	620
SC6X4	40	1240	622	448	457	85	22X14	222	435	229	460	49	-	230	4-Ø29	337	152	292	4-Ø22	279	102	235	4-Ø22	1110	980
SS8X6	30	1318	622	448	457	80	22X14	222	551	318	460	-	62	292	4-Ø29	406	203	356	8-Ø22	368	152	324	8-Ø22	1510	980
SS8X6	45	1518	857	635	610	100	28X16	279	551	318	460	91	-	304	4-Ø29	406	203	356	8-Ø22	368	152	324	8-Ø22	1650	1160
SI8X6	55	1569	857	635	610	120	32X18	290	615	318	615	16	-	304	4-Ø29	406	203	356	8-Ø22	368	152	324	8-Ø22	2920	2480
SS10X8	45	1650	990	705	610	100	28X16	279	667	419	635	-	12	334	4-Ø48	502	254	445	8-Ø29	432	203	375	8-Ø29	2650	1970
SS10X8	65	1753	1150	780	650	120	32X18	280	667	419	635	28	-	334	4-Ø48	502	254	445	8-Ø29	432	203	375	8-Ø29	3450	3210
SC10X8	65	1755	1150	780	650	120	32X18	280	760	419	735	-	69	334	4-Ø48	502	254	445	8-Ø29	432	203	375	8-Ø29	5020	4530
SI10X8	80	2136	1150	1040	650	150	36X20	350	760	419	735	-	70	334	4-Ø48	502	254	445	8-Ø29	432	203	375	8-Ø29	5850	5150
SS12X10	45	1721	990	705	610	100	28X16	279	749	464	673	-	104	381	4-Ø29	527	305	470	12-Ø25	527	254	470	12-Ø25	4080	3040
SS12X10	65	1827	1150	780	650	120	32X18	280	749	464	673	-	64	381	4-Ø48	527	305	470	12-Ø25	527	254	470	12-Ø25	4470	3730
SS12X10	80	2204	1150	1040	650	150	36X20	350	749	464	673	-	64	381	4-Ø48	527	305	470	12-Ø25	527	254	470	12-Ø25	5200	4570
*SC12X10	80	2190	1150	1040	650	150	36X20	350	950	464	800	-	130	382	4-Ø48	527	305	470	12-Ø25	527	254	470	12-Ø25	7520	6800
*SI12X10	80	2242	1150	1040	650	150	36X20	350	950	464	800	-	119	420	4-Ø48	527	305	470	12-Ø25	527	254	470	12-Ø25	8280	7050
SS14X12	45	1777	990	705	610	100	28X16	279	944	629	832	-	264	406	4-Ø29	585	356	521	12-Ø25	552	305	495	12-Ø25	5900	4180
SS14X12	65	1879	1150	780	650	120	32X18	280	944	629	832	-	224	406	4-Ø48	585	356	521	12-Ø25	552	305	495	12-Ø25	5490	4870
*SI14X12	80	2336	1150	1040	650	150	36X20	350	1100	629	930	-	248	485	4-Ø48	585	356	521	12-Ø25	552	305	495	12-Ø25	12020	10500
SS16X14	85	2320	1460	1050	900	150	36X20	350	1048	660	889	-	84	451	4-Ø48	705	406	641	12-Ø35	673	356	610	12-Ø29	10560	7860
*SI16X14	85	2424	1460	1050	900	150	36X20	350	1300	660	1035	-	140	540	4-Ø48	705	406	641	12-Ø35	673	356	610	12-Ø29	16280	14470
SS20X18	85	2475	1460	1050	900	150	36X20	350	1414	940	1230	-	417	580	4-Ø48	900	508	800	12-Ø42	900	460	800	12-Ø42	17760	12890
*SC20X18	85	2475	1460	1050	900	150	36X20	350	1600	940	1230	-	305	580	4-Ø48	900	508	800	12-Ø42	900	460	800	12-Ø42	20450	14150
*SI20X18	85	2475	1460	1050	900	150	36X20	350	1600	940	1230	-	305	580	4-Ø48	900	508	800	12-Ø42	900	460	800	12-Ø42	21340	17230

#All dimensions (mm) ##Dimensions are subject to change without notice *Pump sizes have additional mounting feet on the casing

SLURRYPRO VERTICAL

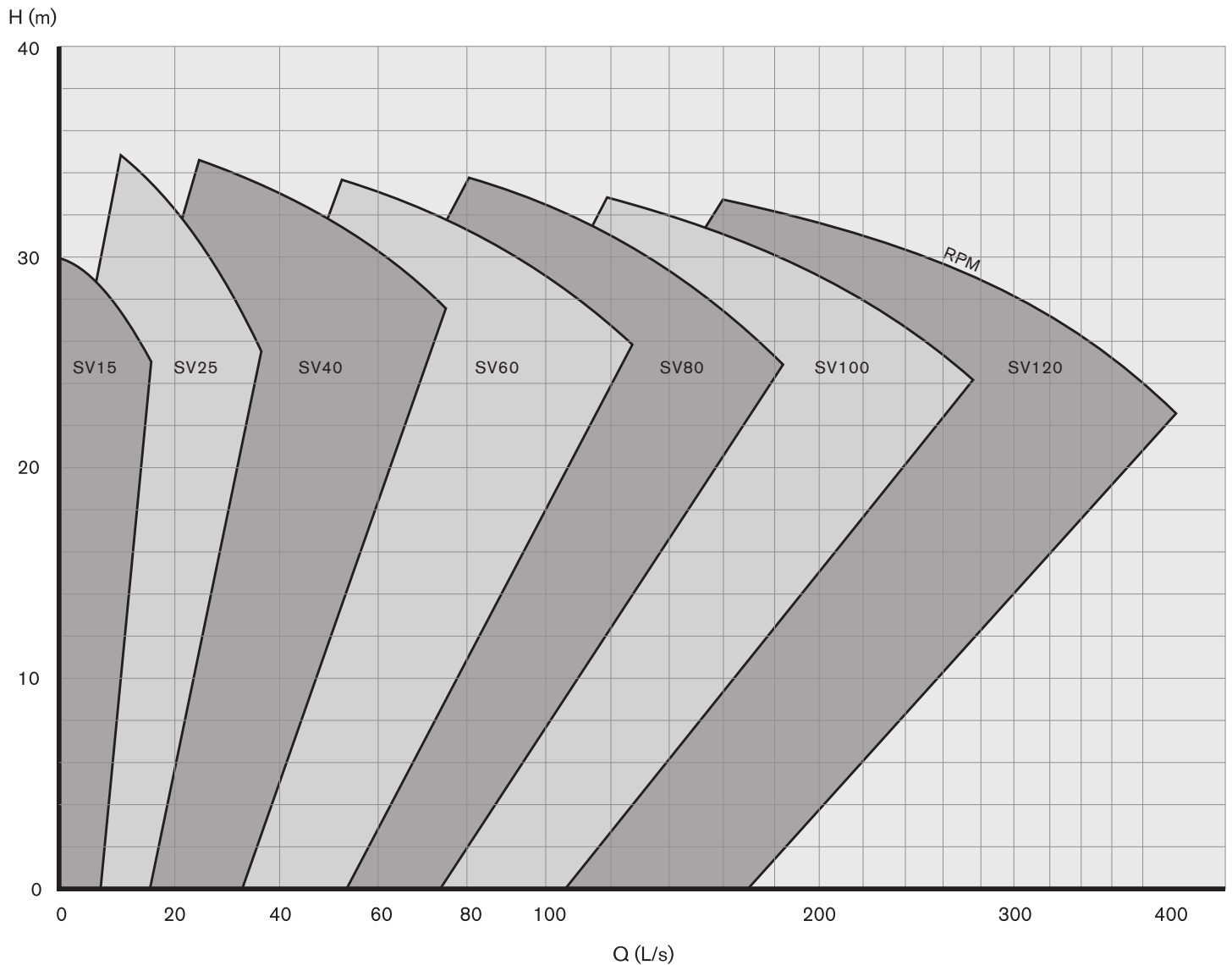
This heavy duty range features a cantilever shaft design that eliminates any bearings or seals in the fluid end. An ideal pump for heavy slurry wash down and spill duties.

A full range of material options including complete elastomer lined pumps and hard metal options for corrosive and abrasive media duties. Pumps in all sizes can be configured with a range of column lengths and impeller designs.

Ideal for corrosive coarse particles and high concentrations of slurry and are widely used in the metallurgical, mining and coal industries.

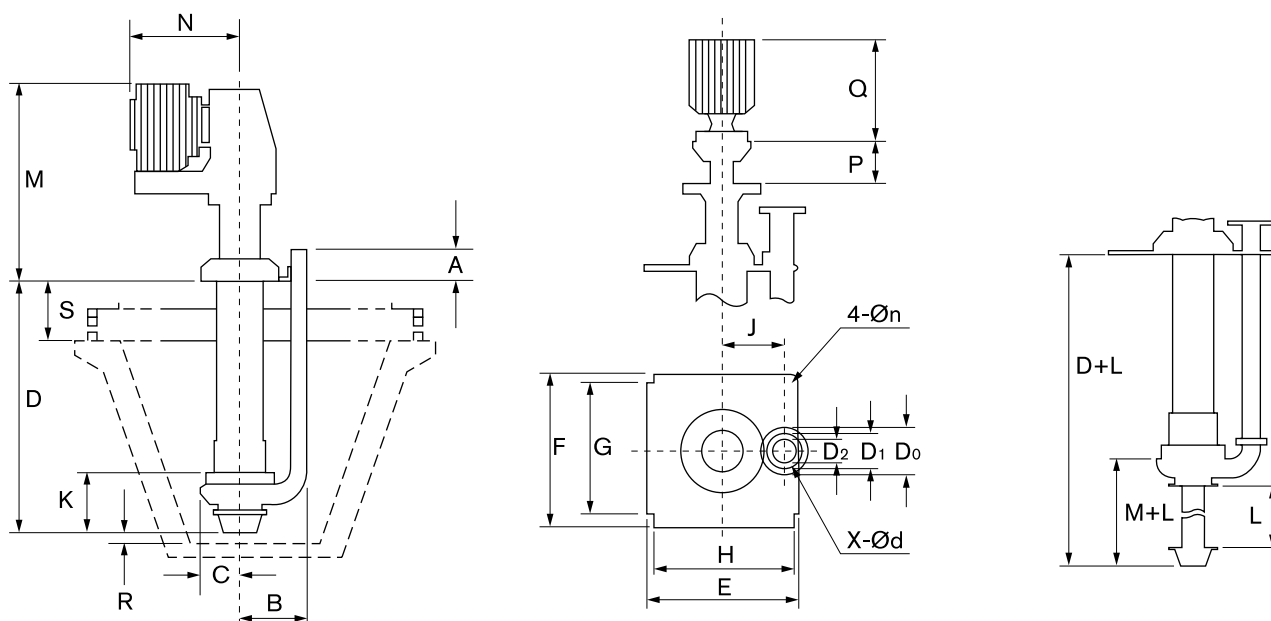


CURVES VERTICAL



The selection chart should be used as a basic guide only. This chart indicates the range and quantity of flow available from pumps with standard impellers. It can also, however, be used to obtain a preliminary pump selection providing the user is able to estimate the quantity of slurry to be pumped and the developed head required.

SPECIFICATIONS VERTICAL



PUMP		A	B	C	D		E	F	G	H	J	Øn	K	NOTE: These are max dimensions based on largest motor sizes				PUMP WEIGHT	S	PUMP WEIGHT (kg)			
TYPE	FRAME				STANDARD COLUMN	OPTIONAL COLUMN								M	N	P	Q			ØD0	ØD2	ØD1	X-ØD
SV15	06	137	285	153	900	1200, 1800, 2000, 2500	500	500	450	450	205	18	174	1113	675	248	629	285	280	127	40	98	4-Ø16
SV15R		140	265	175										1113									
SV25	07	227	399	231	1200	1200, 1500, 2200, 2500, 2800	680	680	620	620	285	18	265	1390	794	290	681	432	350	178	65	140	4-Ø19
SV25R		230	380	260										1396									
SV40	22	265	538	317	1500	1200, 1800, 2000, 2400, 2700, 3000, 3200	1000	870	800	930	400	22	393	1803	1020	416	960	867	350	229	100	191	8-Ø19
SV40R														266									
SV60	26	390	670	365	1800	1500, 2100, 2800, 3200, 3400, 3600	1100	1100	1030	1030	500	28	475	2186	1200	476	1011	1737	350	280	150	241	8-Ø22
SV60R		395	670	400										2194									
SV80	26	450	805	440	1800	1500, 2100, 2800, 3200, 3600	1300	1200	1100	1200	600	28	550	2191	1300	476	1011	2800	350	343	200	298	8-Ø22
SV80R														2191									
SV100	36	500	500	470	2100	1800, 2400, 2800, 3200, 3600	1750	1450	1350	1650	700	48	685	2191	1750	561	1246	3700	400	406	250	362	12-Ø25
SV100R														2572									
SV120	36	500	1170	559	2100	1800, 2400, 2800, 3200, 3600	1750	1450	1350	1650	700	48	700	2572	1750	561	1246		400	483	300	432	12-Ø25
SV120R														2476									

NOTE: L size: 300, 600, 900, 1200, 1800 R dimension range: 50-300 mm *All dimensions (mm) **Dimensions subject to change without notice

CASE STUDY LEAD SMELTER, SOUTH AUSTRALIA

PLANT

This plant is an integrated multi-metals recovery facility with the flexibility to process a wide range of lead rich concentrates and smelting industry by-products.

Located approximately 200 km north of Adelaide, South Australia, the smelter has been in constant operation for more than 120 years. There is an adjacent dedicated port facility where concentrates are received, with final products dispatched by road and rail.

This plant is one of the world's largest primary lead smelting facilities, its competitive position is enhanced by its ability to produce a range of metals and treat a variety of by-products, together with its focus on supplying the growing markets of Asia, especially China. The plant is linked to another smelter through flows of by-products such as paragoethite and leach products.

TECHNOLOGY

Lead smelter, transitioning to top submerged lance furnace, sinter plant, blast furnace and lead refinery. Slag fuming leach, electrowin copper, solvent extraction/electrowin.

PRODUCTS

Commodity grade lead, copper cathode, silver and gold ore and sulphuric acid.

PUMPS

SlurryPro SS3x2-500010: High-chrome liners and impeller fitted with Sealtek Mechanical Seal, coupled to a 5.5 kW 4-pole electric motor.

Thickener recycle pump - thickener underflow

Conditioning discharge pump 'A'
- conditioned milk of lime pump 'A'

Conditioning discharge pump 'B'
- conditioned milk of lime pump 'B'



SPARES

We stock a large range of pump parts and spares suitable for our own brands, as well as other manufacturers, including but not limited to Techniflo, Verderflex, Grundfos, Mono, Southern Cross, Warman, Flygt, Inoxpa and Lowara.

REPAIRS

Our technical service division in South Australia allows us to provide in-house engineering, specialised technical support, maintenance, service and repairs of horizontal and vertical slurry pumps.





intrax

Providing pump solutions to industry, globally

Intrax is a global leader in specialist pumping equipment for difficult and challenging industrial applications. We are best known for excellence in bringing innovative and cost-saving ideas to our customers as well as offering unrivalled levels of customer service and response times.

Our combined wealth of experience and technical know-how in highly sophisticated applications allows us to work closely with engineering teams on large-scale projects across the globe firmly establishing us as their trusted partner.



SLURRYPRO® is part of the Intrax Group

Expertise

Intrax tackles aggressive and abrasive pumping challenges that conventional pump manufacturers shy away from. An in-depth cross-organisational knowledge of aggressive fluid handling and an association with leading polymer developers and foundries globally provides a level of expertise disproportionate to the individual companies and brand.

Understanding

The Intrax companies and brands have truly evolved to relieve customer pain points and hence bring a refreshingly different approach to the rigid stance often taken by market incumbents. Intrax products have also evolved intelligently, influenced by individual customer's demands, and this progress is on-going.

Energy

Our partners often comment on the energy and motivation within our companies and how enjoyable it makes their interactions with us. We think that this is because of the ethos of our brilliant, highlytrained workforce who have been recruited to deliver cutting-edge solutions without the prejudices of a lifetime of offering conventional and often outdated technology.

Innovation

A relentless drive to improve on the status quo of high value pump installations. Intrax has a culture of market disruption bringing value to customers, ranging from small, yet significant, product modifications which address regional challenges, to in-depth R&D and new product designs.

SLURRYPRO[®]



Asia Pacific Distribution

Global Pumps
SA, VIC, QLD, NSW, NT
T: +61 1300 145 622
www.globalpumps.com.au

SLURRYPRO.COM